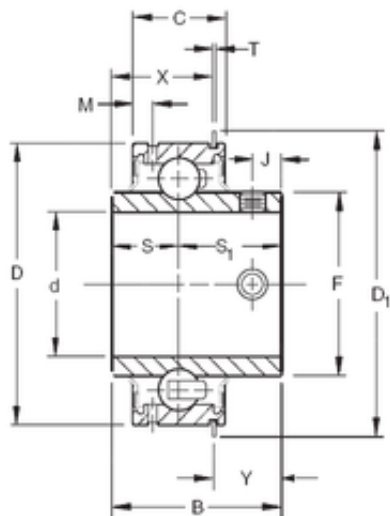




Accessories Rolamentos do Brasil Ltda.



15,875 mm x 47 mm x 30,96 mm TIMKEN ER10 Insert Bearings Cylindrical OD

Bearing No. ER10

Size	15.875x47x30.96 mm
Bore Diameter	15,875 mm
Outer Diameter	47 mm
Width	30,96 mm
d	15,875 mm
D	47 mm
B	30,96 mm
C	15,88 mm
Y	16,61 mm
S1	18,26 mm
X	14,35 mm
D1	52,4 mm
F	28,17 mm
J	5,16 mm
M	3,97 mm
S	12,7 mm
T	1,2 mm
Thread (G)	M5X0,8

ER10 Bearing 2D drawings and 3D CAD models